

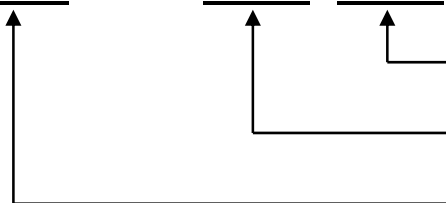
# SPECIFICATIONS

Model Name	CLA1S-□			CLA2S-□			CLA3S-□			
Color Code	CD	CN	Y	CD	CN	—	CD	CN	Y	
Luminous Color	Daylight	Natural White	Amber	Daylight	Natural White	—	Daylight	Natural White	Amber	
Color Temperature (typ.)	6800 K	4800 K	—	6800 K	4800 K	—	6800 K	4800 K	—	
Wavelength	—	—	590 nm	—	—	—	—	—	590 nm	
Illuminance (at 24V DC)	0.5m	140 lx		78 lx		—	400 lx		220 lx	
	1.0m	35 lx		20 lx		—	105 lx		60 lx	
Luminous Flux	125 lm		60 lm		—		360 lm		195 lm	
Rated Voltage	24V DC (Polarized)									
Operating Voltage Range	24V DC ±10%									
Rated Current Consumption	104 mA ±10%			208 mA ±10%			—	240 mA ±10%		
Rated Power Consumption	2.5 W			5 W			—	5.7 W		
Operating Temperature Range	-40°C to +60°C (RH90% or less, no condensation)									
Main Body Material	Polycarbonate Resin (Waterproof Packing : Silicon)									
Protection Rating	IP66/67(IEC 60529)/69K(DIN 40050 part9)(Cable Terminal not included)									
Mounting Direction	Indoor Use Any Direction									
Insulation Resistance	5MΩ or more with a 500V DC Megohmmeter									
Withstanding Voltage	500V AC for 1 minute									
Vibration Proof	19.6 m/s <sup>2</sup> (30Hz, Back and Forth:2h·Right to Left:2h·Up and Down:2h)									
Mass	0.08kg±10%			0.13kg±10%			0.18kg±10%			

No. CLAS-24-A18A-1\_3

<Remarks>

CLA□□-24-□□-□□



- Cable Length  
None: 0.5m, 30: 3.0m (Only CD/CN)
- Color  
CD: Daylight, CN: Natural White, Y: Amber (Only 1S/3S)
- Light Unit Length  
1S: 100mm, 2S: 200mm, 3S: 300mm

- This product confirms to the CE requirements and CE Marking is indicated.  
(EN55011:2007 Group 1 Class B, EN61000-6-2:2005)
- This product complies with the RoHS Directive(DIRECTIVE 2002/95/EC)
- This product confirms to the UL2108 standard and UL Marking is indicated.  
(File No. E306141)

※1 Specifications may change without notice due to continual product improvement.

※2 Due to the inherent properties of the LED, color variations and hue may occur.

※3 Use UL authorized Class 2 Power Supply units when connecting power.

If a fuse is provided to the CLA for the safety, Class 2 power supply does not need to be used.

## PATLITE Corporation

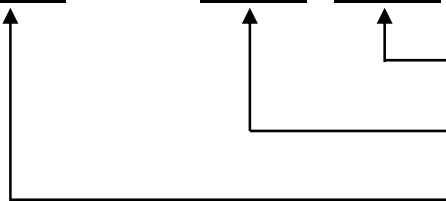
# SPECIFICATIONS

Model Name		CLA6S-□		CLA9S-□		CLA12S-□		CLA15S-□	
Color Code		CD	CN	CD	CN	CD	CN	CD	CN
Luminous Color		Daylight	Natural White	Daylight	Natural White	Daylight	Natural White	Daylight	Natural White
Color Temperature (typ.)		6800 K	4800 K	6800 K	4800 K	6800 K	4800 K	6800 K	4800 K
Illuminance (at 24V DC)	0.3m	1,425 lx		1,575 lx		1,600 lx		1,625 lx	
	0.5m	650 lx		810 lx		890 lx		945 lx	
	1.0m	200 lx		280 lx		340 lx		385 lx	
Luminous Flux		690 lm		980 lm		1,375 lm		1,725 lm	
Rated Voltage		24V DC (Polarized)							
Operating Voltage Range		24V DC ±10%							
Rated Current Consumption		480 mA ±10%		720 mA ±10%		960 mA ±10%		1,200 mA ±10%	
Rated Power Consumption		11.6 W		17.3 W		23 W		28.8 W	
Operating Temperature Range		-40°C to +60°C (RH90% or less, no condensation)							
Main Body Material		Polycarbonate Resin (Waterproof Packing : Silicon)							
Protection Rating		IP66/67(IEC 60529)/69K(DIN 40050 part9)(Cable Terminal not included)							
Mounting Direction		Indoor Use Any Direction							
Insulation Resistance		5MΩ or more with a 500V DC Megohmmeter							
Withstanding voltage		500V AC for 1 minute							
Vibration proof		19.6 m/s <sup>2</sup> (30Hz, Back and Forth:2h•Right to Left:2h•Up and Down:2h)							
Mass		0.34kg±10%		0.5kg±10%		0.66kg±10%		0.82kg±10%	

No. CLAS-24-A18A-2\_3

<Remarks>

CLA□□-24-□□-□□



- Cable Length  
None: 0.5m , 30: 3.0m (Only CD/CN)
- Color  
CD: Daylight , CN: Natural White , Y: Amber (Only 1S/3S)
- Light Unit Length  
6S: 600mm , 9S: 900mm , 12S: 1,200mm , 15S: 1,500mm

- This product confirms to the CE requirements and CE Marking is indicated.  
(EN55011:2007 Group 1 Class B, EN61000-6-2:2005)
- This product complies with the RoHS Directive(DIRECTIVE 2002/95/EC)
- This product confirms to the UL2108 standard and UL Marking is indicated.  
(File No. E306141)

※1 Specifications may change without notice due to continual product improvement.

※2 Due to the inherent properties of the LED, color variations and hue may occur.

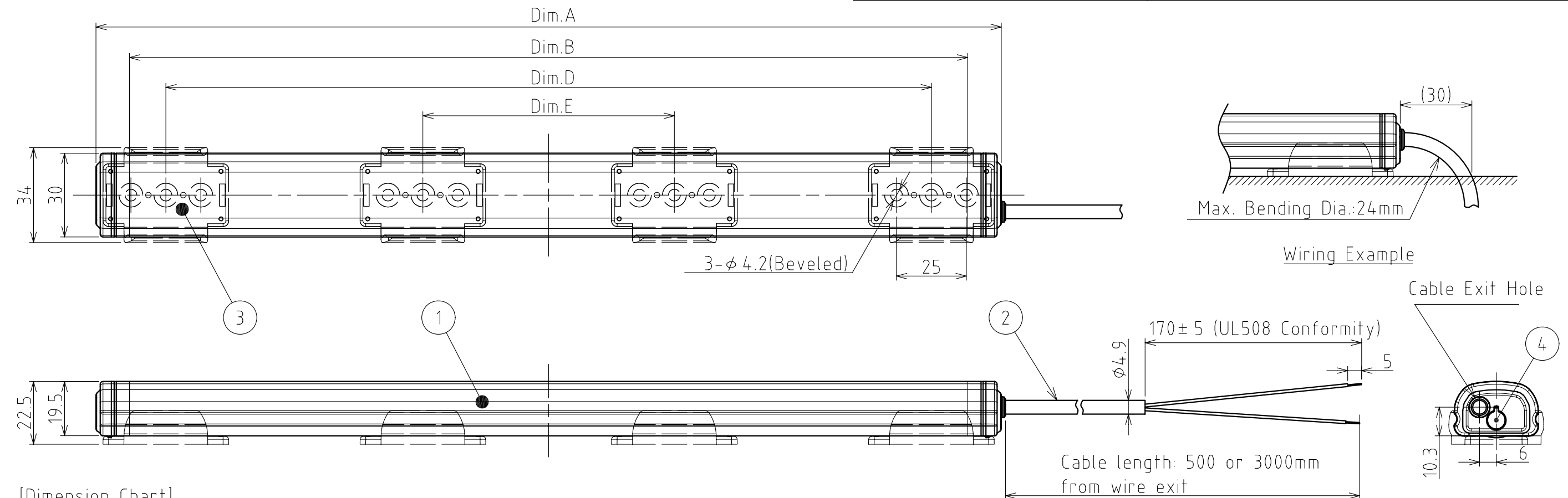
※3 Use UL authorized Class 2 Power Supply units when connecting power.

If a fuse is provided to the CLA for the safety, Class 2 power supply does not need to be used.

## PATLITE Corporation

指定公差 General tolerance	角度公差 ± [°] Angular tolerance ± [°]					寸法公差 ± [mm] Dimensional tolerance ± [mm]					符号 Sym.	年月日 Date	訂正履歴 Revisions		記印 Sgn.	検印 Chk.	承認 App.	
	短辺長 Length of short side	~10	~50	~100	~100	~精 f	0.05	0.1	0.2	0.4			0.6	△-				
精 f	1	0.5	0.3	0.1	中 m	0.1	0.3	0.5	0.7	1	△-							
粗 v	3	1.5	1	0.5	粗 c	0.3	0.5	1	1.2	2	△-							

質量 Mass  
g



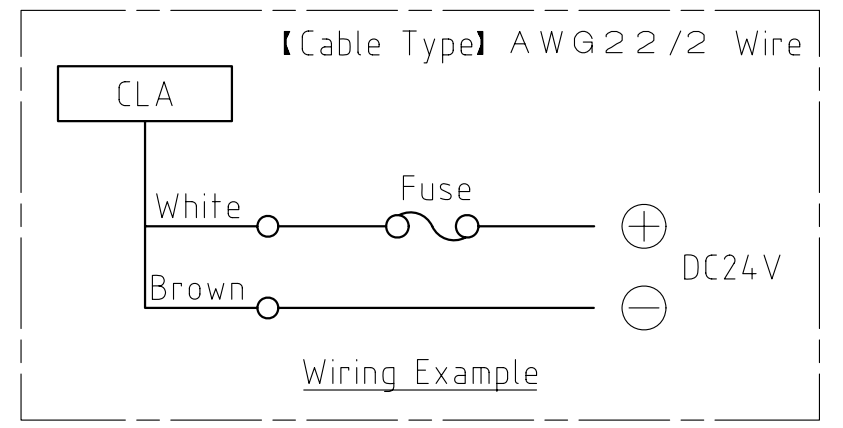
[Dimension Chart]

Model Name	Dim.A	Dim.B	Dim.D	Dim.E	Accessory Brackets (SZ-310AR)
	Maximum	Lighting	Attachement Pitch		
CLA1S-	124	100	74	-	2pcs.
CLA2S-	224	200	174	-	2pcs.
CLA3S-	324	300	274	-	2pcs.
CLA6S-	624	600	574	-	2pcs.
CLA9S-	924	900	874	290	4pcs.
CLA12S-	1224	1200	1174	390	4pcs.
CLA15S-	1524	1500	1474	490	4pcs.

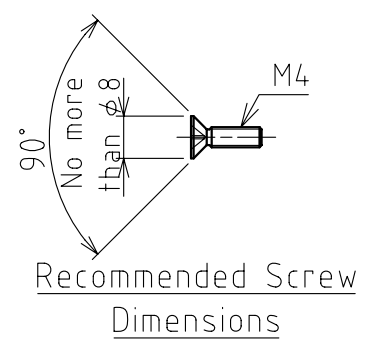
[Chart 2: Corresponding Bracket Table]

Model Name	SZ-310AS	SZ-310ASB	SZ-310ARM
CLA1S-	○	×	○
CLA2S-	○	×	○
CLA3S-	○	○	○
CLA6S-	○	×	○
CLA9S-	○*1	×	○
CLA12S-	○*1	×	○
CLA15S-	○*1	×	○

\*1: For the 9S,12S,and 15S, please orientate the two SZ-310AR brackets included with the product.



発行先	部数
製造	
製造技術	
購買・生管	
部品管理	
品質管理	
海外生産	
配送	
技術	
ソフト	
営業拠点	
営業企画	
CS室	
生技	
合計	



[Remarks]

- The screw cap, may fall out during high-pressure washing, etc. Please remove it in advance to prevent it from falling out before a problem occurs. (Example: Contamination in a food-processing line)
- Install the bracket on a sturdy surface with M4 flush-mount screws, and tighten down with a torque of no more than 1N・m. (2 screws recommended)

No.	Part Name	Part No.	Qty	Material & Size & Finish	Remarks
4	Screw Cap		2	Silicon	
3	Bracket	SZ-310AR	Chart2	Polycarbonate Resin	
2	Power Cable		1	AWG 22 / 2 Wire	
1	Cover		1	Polycarbonate Resin	

Name	Model
	CLA□S-24
Dimensions	Part No.

3rd Angle	Unit mm	Scale	PATLITE Corporation	Drawing No.	CLAS-24-AePDFA
-----------	---------	-------	---------------------	-------------	----------------